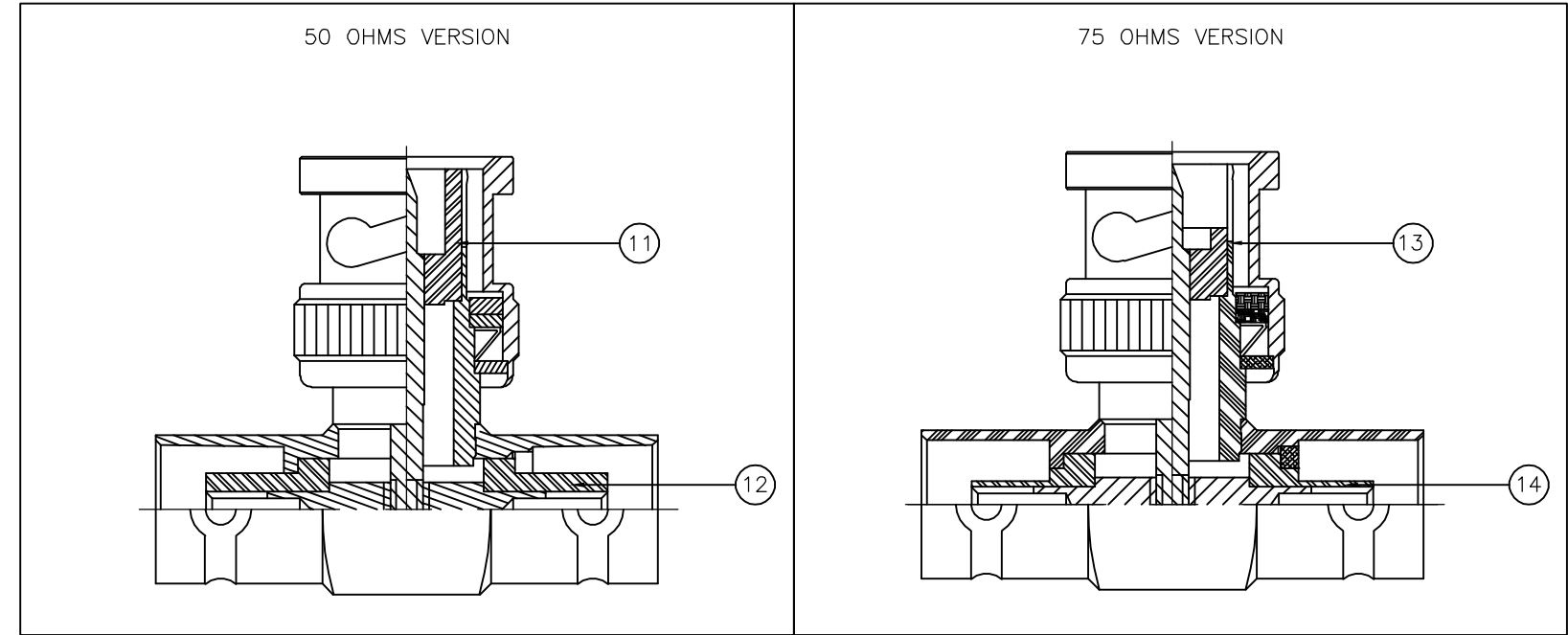
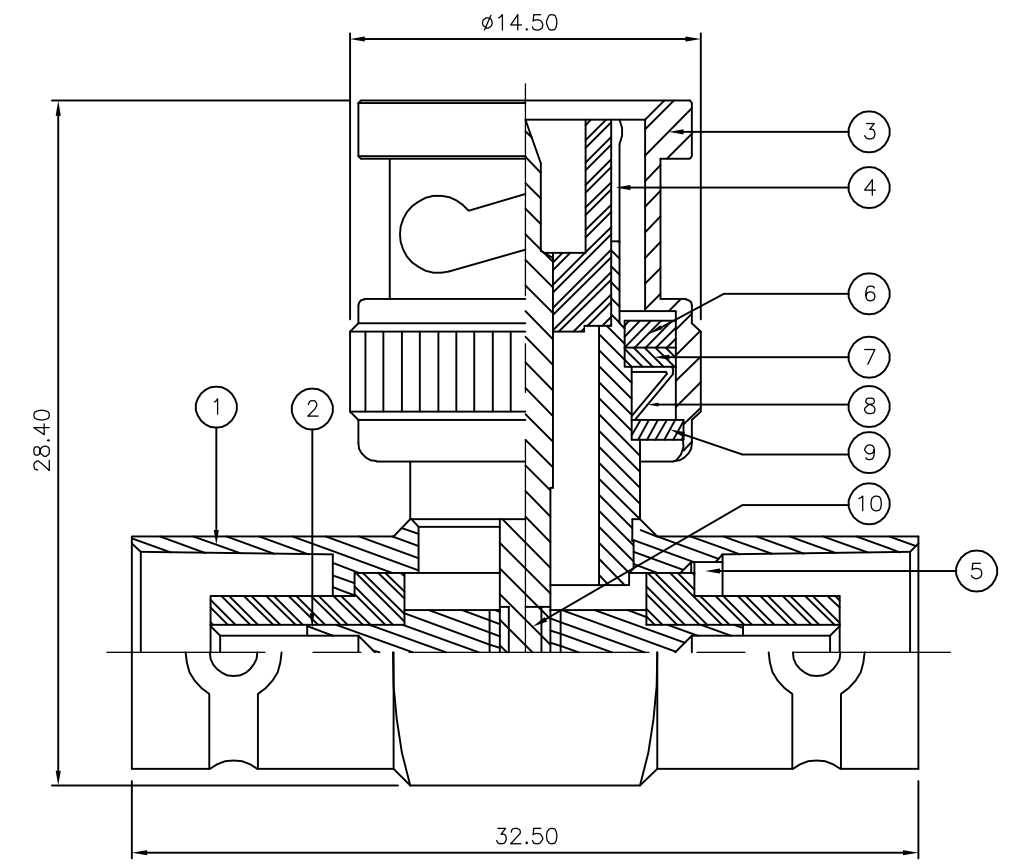


THIS DRAWING IS UNPUBLISHED. RELEASED FOR PUBLICATION DEC ,2005.  
 © COPYRIGHT 2005 BY TYCO ELECTRONICS CORPORATION. ALL RIGHTS RESERVED.

LOC	DIST	REVISIONS			
P	LTR	DESCRIPTION	DATE	DWN	APVD
E	B				
	D	ECR-06-024212	12OCT2006	JMS	FWK

- NOTES:**
- 1 PACK IN ACCORDANCE WITH AMP SPEC 107-3275
  - 2 100 TRAY PACK IN ACCORDANCE WITH AMP SPEC 107-3275
  - 3 Au PLATING
  - 4 Ni PLATING
  - 5 THIS ITEM MUST BE WHITE
- 6 ELECTRICAL CHARACTERISTICS
- |                               |                            |
|-------------------------------|----------------------------|
| FREQUENCY RANGE (50 Ohms):    | DC - 4 GHz                 |
| FREQUENCY RANGE (75 Ohms):    | DC - 2 GHz                 |
| NOMINAL IMPEDANCE:            | 50 Ohm or 75 Ohm           |
| INSULATION RESISTANCE:        | 5000 MOhm                  |
| WORKING VOLTAGE:              | 500 Volts RMS at Sea Level |
| DIELECTRIC WITHSTAND VOLTAGE: | 1500 Volts RMS Max         |
| CONTACT RESISTANCE:           |                            |
| CENTRE CONTACT:               | 1.50 mOhm Max              |
| OUTER CONTACT:                | 0.20 mOhm Max              |
| VSWR @ xGHz:                  | N/A                        |
| INSERTION LOSS xdb:           | N/A                        |
- 7 MECHANICAL CHARACTERISTICS
- |                           |                |
|---------------------------|----------------|
| COUPLING RETENTION FORCE: | 445N Min       |
| CABLE RETENTION FORCE:    | N/A            |
| DURABILITY:               | 500 Cycles Min |
- 8 ENVIRONMENTAL CHARACTERISTICS
- |                        |                  |
|------------------------|------------------|
| OPERATING TEMPERATURE: | -65 to +165 DegC |
|------------------------|------------------|



QTY	QTY	QTY	QTY	MATERIAL	DESCRIPTION	ITEM
2	2	-	-	PTFE	INSULATION	14
1	1	-	-	PTFE	INSULATION	13
-	-	2	2	PTFE	INSULATION	12
-	-	1	1	PTFE	INSULATION	11
1	1	1	1	BRASS	CONTACT II	10
1	1	1	1	BRASS	WASHER	9
1	1	1	1	SPRING STEEL	SPRING	8
1	1	1	1	BRASS	RETAINING RING	7
1	1	1	1	SILICON RUBBER	GASKET	6
1	1	1	1	BRASS	SLEEVE	5
1	1	1	1	BRASS	BODY 2	4
1	1	1	1	BRASS	SHELL	3
1	1	1	1	BRASS	CONTACT I	2
1	1	1	1	BRASS	BODY 1	1
6--1	1--1	6--0	1--0			
				MATERIAL	DESCRIPTION	ITEM
				QUANTITY PER ASSY	PARTS LIST	

THIS DRAWING IS A CONTROLLED DOCUMENT.		DWN J.SANDWELL 14DEC05	Tyco Electronics Corporation Bideford EX39 4HE	
DIMENSIONS: mm		CHK S.PARLOW 14DEC05		
		APVD F.WHEELER-KING 14DEC05	NAME BNC TEE ADAPTOR J-P-J 50 OHM AND 75 OHM VERSIONS	
MATERIAL SEE TABLE		PRODUCT SPEC -	APPLICATION SPEC -	RESTRICTED TO -
FINISH -		WEIGHT -	SIZE A3	CAGE CODE 00779
		CUSTOMER DRAWING	DRAWING NO C-1337458	REV D
		SCALE NTS	SHEET 1 OF 1	